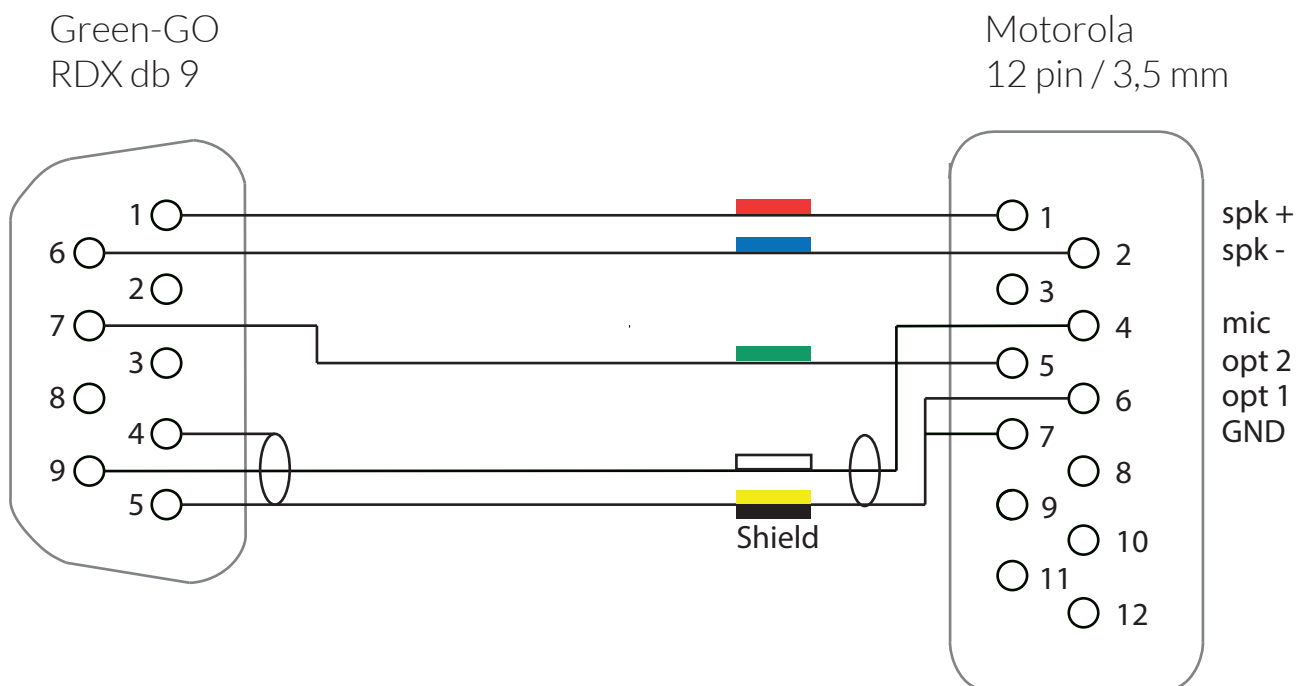




## Application Note

### Green-GO RDX to Motorola 12 pin / 3,5 mm pitch adaptor



Switch 1 OFF  
Switch 2 OFF

Supported:

GP1280, GP140, GP320, GP328, GP329, GP338, GP339, GP340, GP360, GP380, GP640, GP650, GP680, HT750, HT1250, HT1250LS, HT1550, HT1550XLS, MTP700, MTX8250, MTX8250LS, MTX850, MTX850LS, MTX9250, MTX950, MTX4500/4550, PR860, PRO5150, PRO5350, PRO5450, PRO5550, PRO5750, PRO7150, PRO7350, PRO7450, PRO7550, PRO7750, PRO9150, PTX700, PTX760, PTX780.

