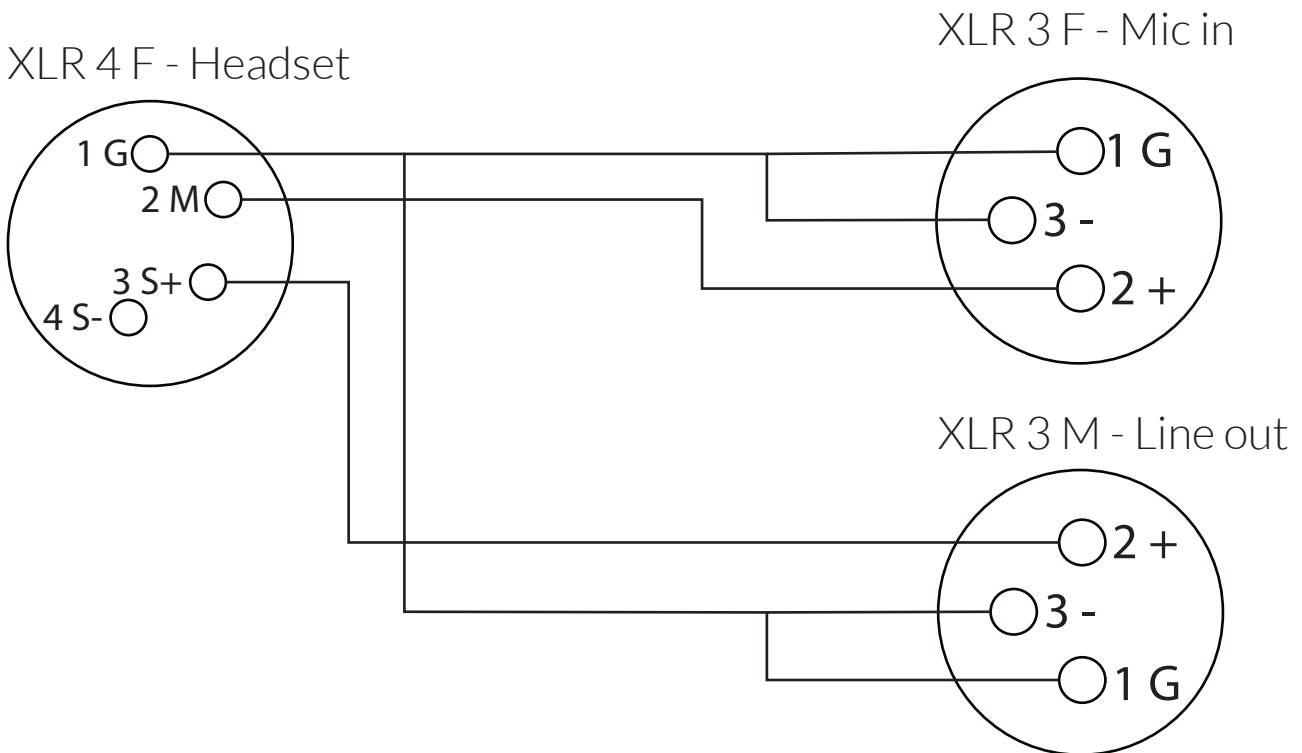




Application Note

Green-GO 4 pin headset to mic and line adaptor



Do not connect short pin 1 and 4 on the 4 pin connector
For a Wireless beltpack, to remove the DC offset
add a 10uF capacitor between pin 3 of HS and pin 2 of line out